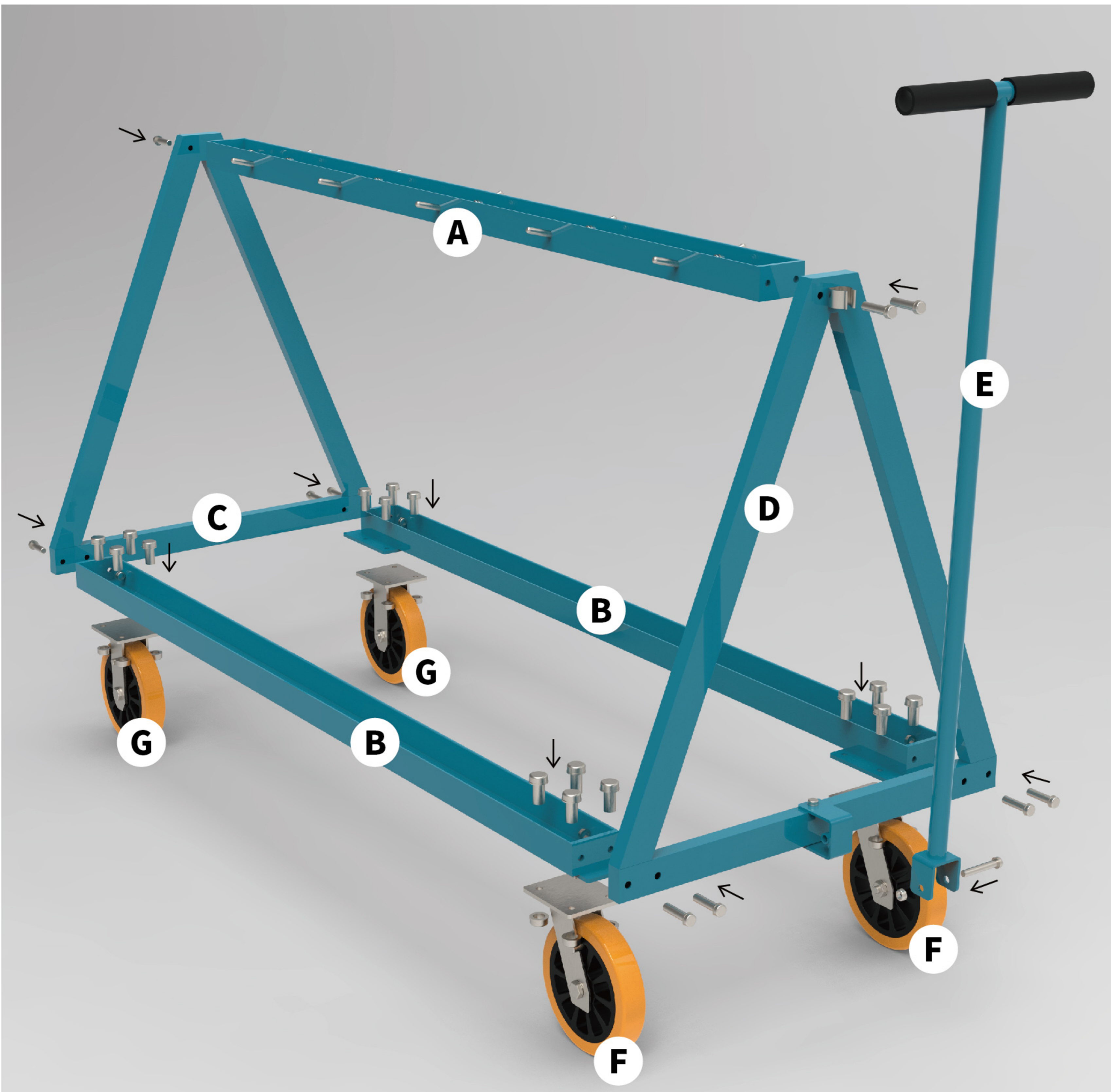


Sportland

www.sportland.com.cn

Block Cart MASTER

#17904



1. Connect Part A with Part C and Part D.
2. Install the four wheels as the picture shows.
3. Connect Part B with Part C and Part D.
4. Install the handle (Part E) .
5. Tighten all screws.

Note:

Please do not tighten the screws until you finish all the steps.