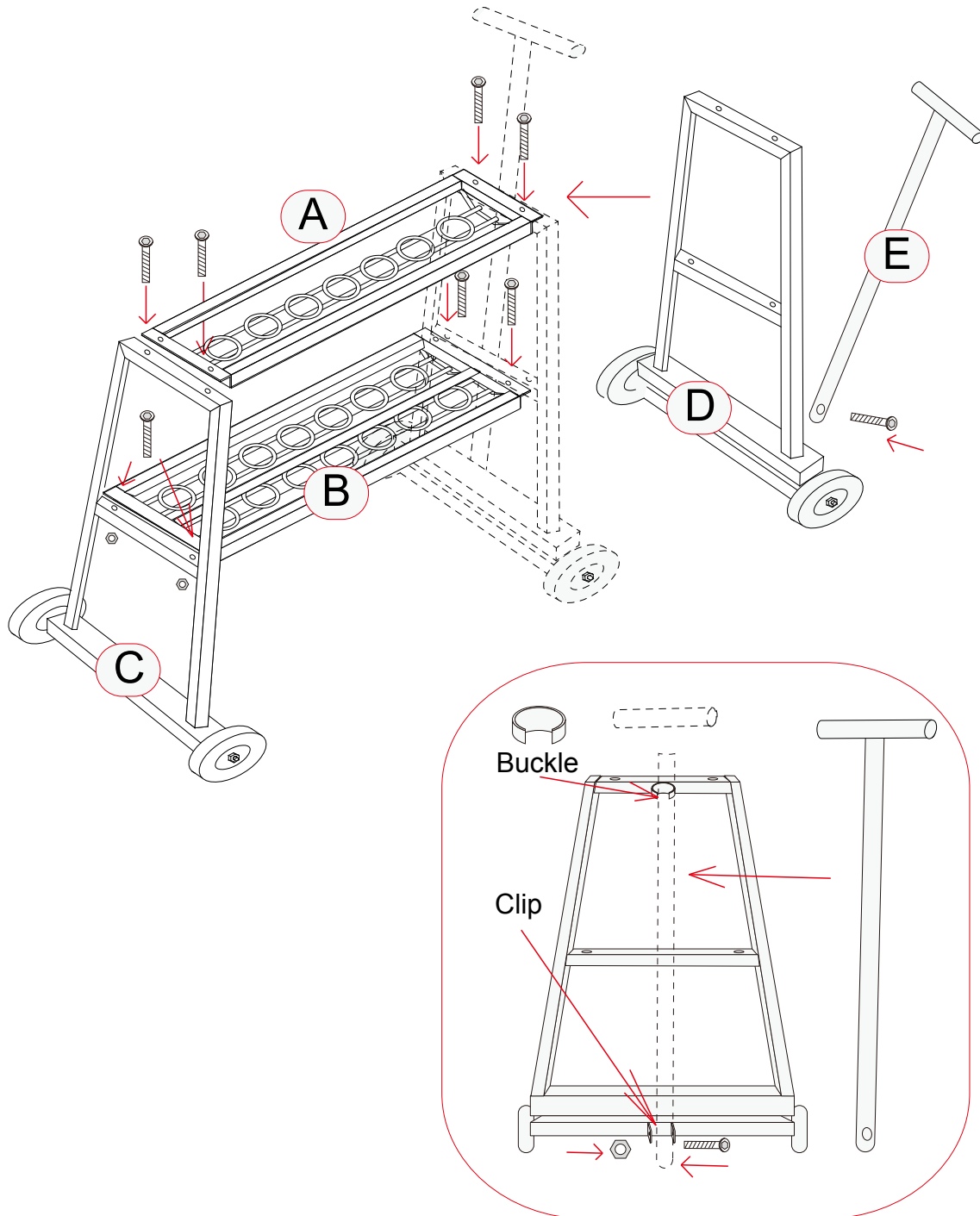


Shot Put Cart Manual Instruction



1. Put part E (Handle) on the clip position, then insert and tighten the bolt, firm the handle on the buckle position.
2. Put part B on Part C hole position, insert the bolt and fix the nuts, but do not tighten the nuts.
3. Put part B on Part D hole position, insert the bolt and fix the nuts, also do not tighten the nuts.
4. Repeat step 2 and step 3, and install part A on Part C and Part D.
5. Tighten all bolts.